

SMART TEE

Quick and Safe Installation with Practical Connection System



5 Second Installation Time



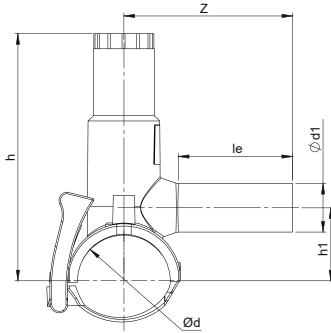
Prevents Mistakes in Assembly



Ideal Solution in Water&Gas Systems



Ø40-63mm



L : Uzunluk (Length)

SMART TEE

PE100 SDR11

Injected monoblock type
4mm pin connectors
Long spigot outlet
O-ring sealed leakproof cap
Stainless steel cutters

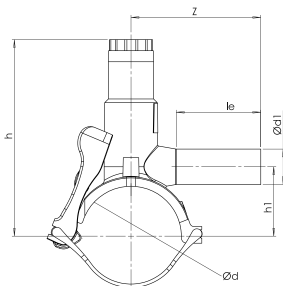
16 Bar Water
10 Bar Gas



d1	d2	Article No	Le	h	h1	Z	L	Weight	Box	Compatibility
mm	mm		mm	mm	mm	mm	mm	kg	pcs	SDR
40	32	001 117 2075 0041	76	144	37	111	117	0,300	30	11
40	25	001 117 2075 0042	76	144	37	111	117	0,290	30	11
40	20	001 117 2075 0043	76	144	37	111	117	0,285	30	11
63	32	001 117 2075 0066	75	163	48	111	120	0,385	20	11
63	25	001 117 2075 0067	75	163	48	111	120	0,375	20	11
63	20	001 117 2075 0068	75	163	48	111	120	0,370	20	11



Ø90-160mm



L : Uzunluk (Length)

d1	d2	Article No	Le	h	h1	Z	L	Weight	Box	Compatibility
mm	mm		mm	mm	mm	mm	mm	kg	pcs	SDR
90	32	001 117 2075 0095	75	177	63	116	120	0,490	12	11..17
90	25	001 117 2075 0096	75	177	63	116	120	0,470	12	11..17
90	20	001 117 2075 0097	75	177	63	116	120	0,460	12	11..17
110	32	001 117 2075 0116	76	163	73	116	120	0,500	10	11..17
110	25	001 117 2075 0117	76	163	73	116	120	0,480	10	11..17
110	20	001 117 2075 0118	76	163	73	116	120	0,470	10	11..17
125	32	001 117 2075 0132	91	207	80	126	120	0,520	8	11..17
125	25	001 117 2075 0133	76	207	80	111	120	0,500	8	11..17
125	20	001 117 2075 0134	76	207	80	111	120	0,490	8	11..17
140	32	001 117 2075 0148	91	207	88	126	120	0,525	6	11..17
140	25	001 117 2075 0149	76	207	88	111	120	0,505	6	11..17
140	20	001 117 2075 0150	76	207	88	111	120	0,495	6	11..17
160	32	001 117 2075 0169	91	224	98	131	120	0,530	6	11..17
160	25	001 117 2075 0170	76	224	98	116	120	0,510	6	11..17
160	20	001 117 2075 0171	76	224	98	116	120	0,500	6	11..17